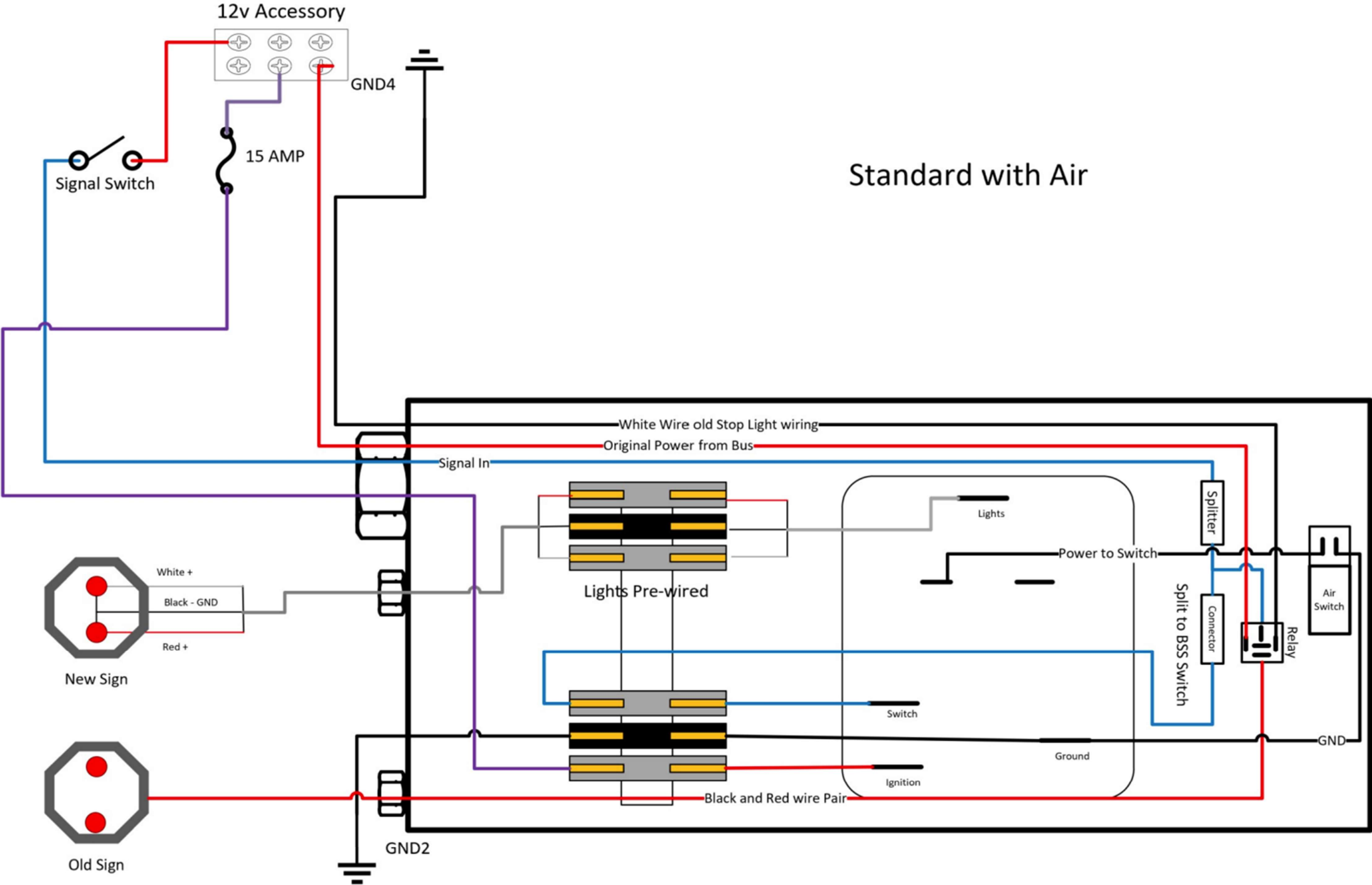
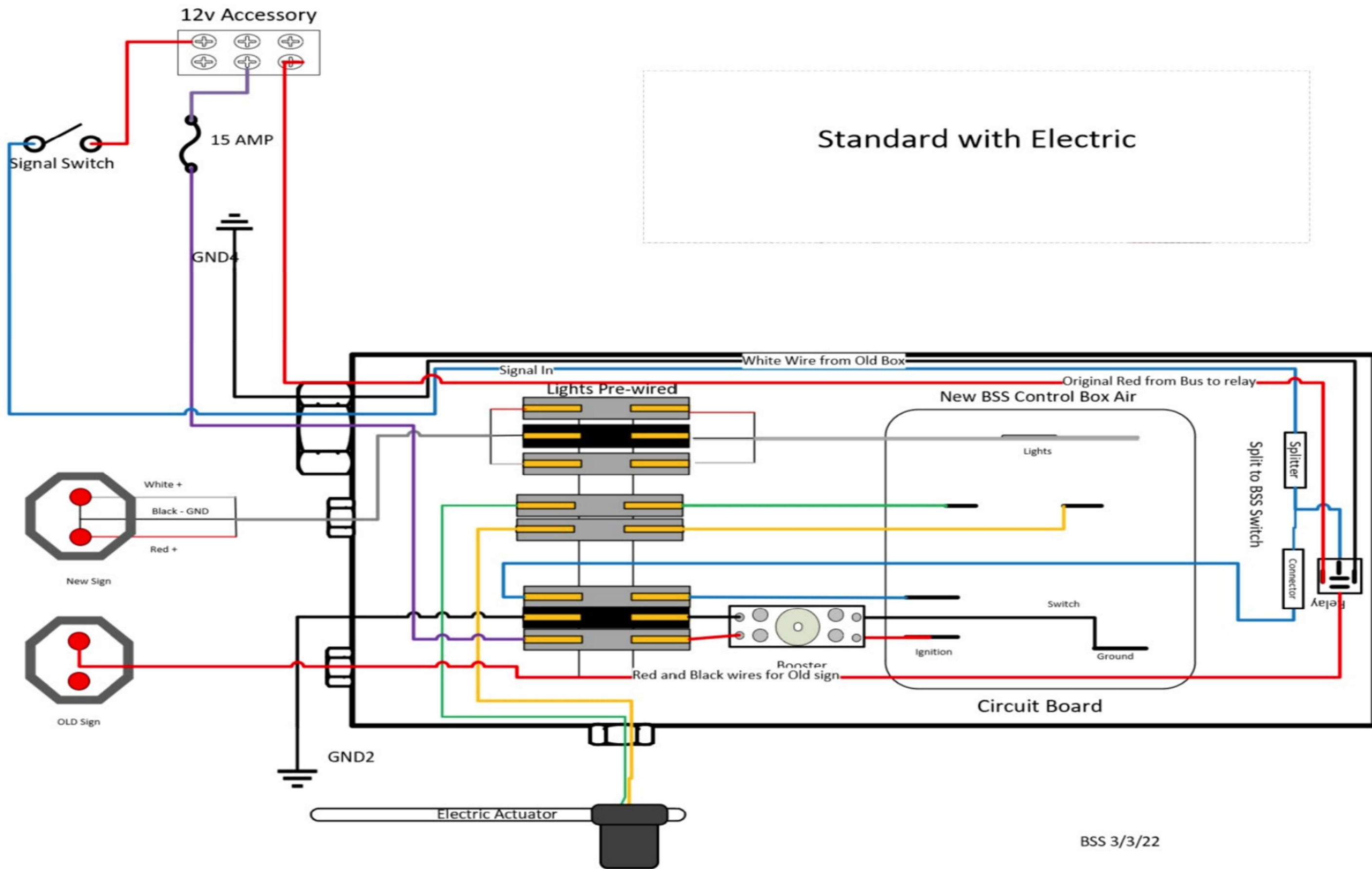
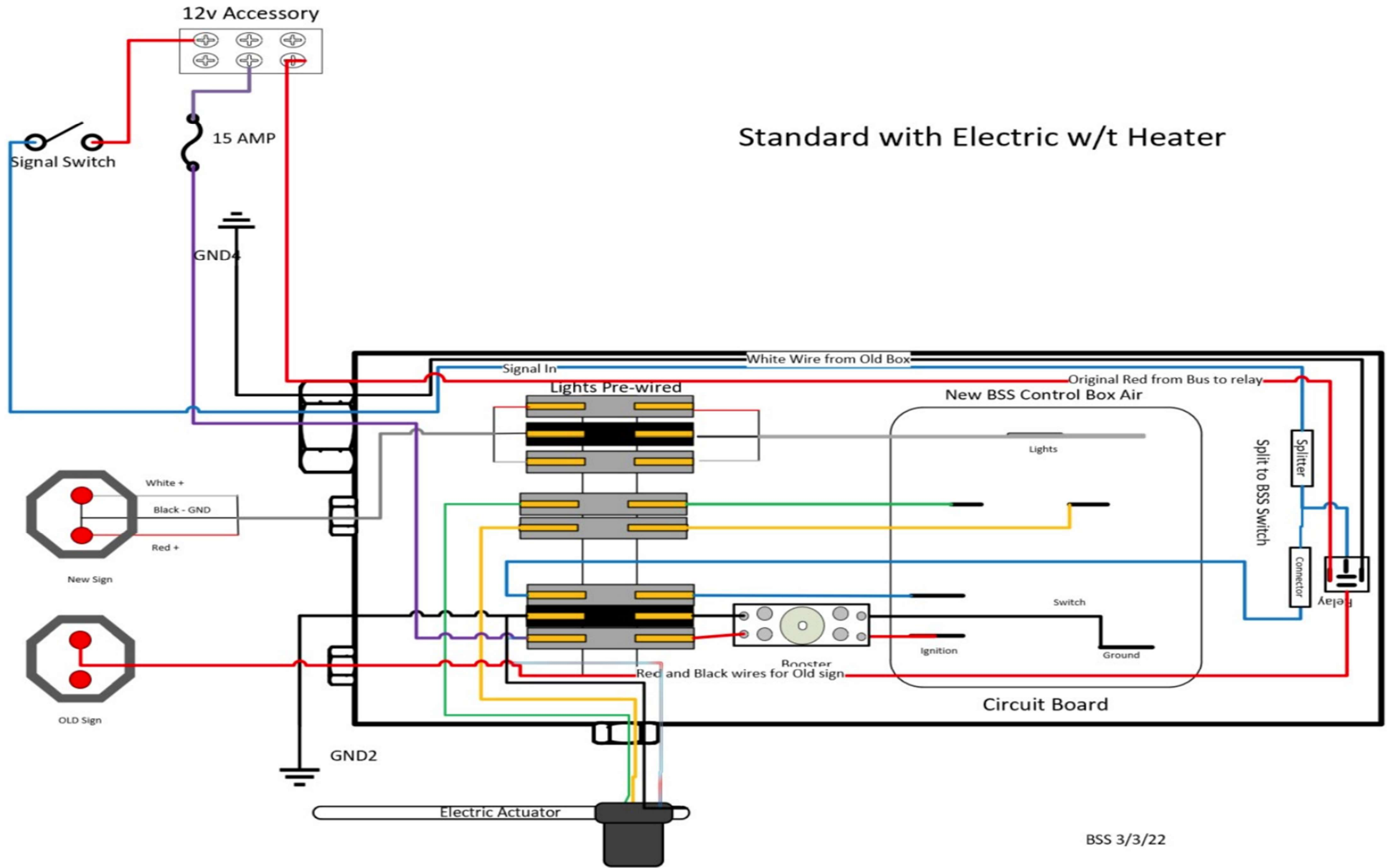


Standard with Air

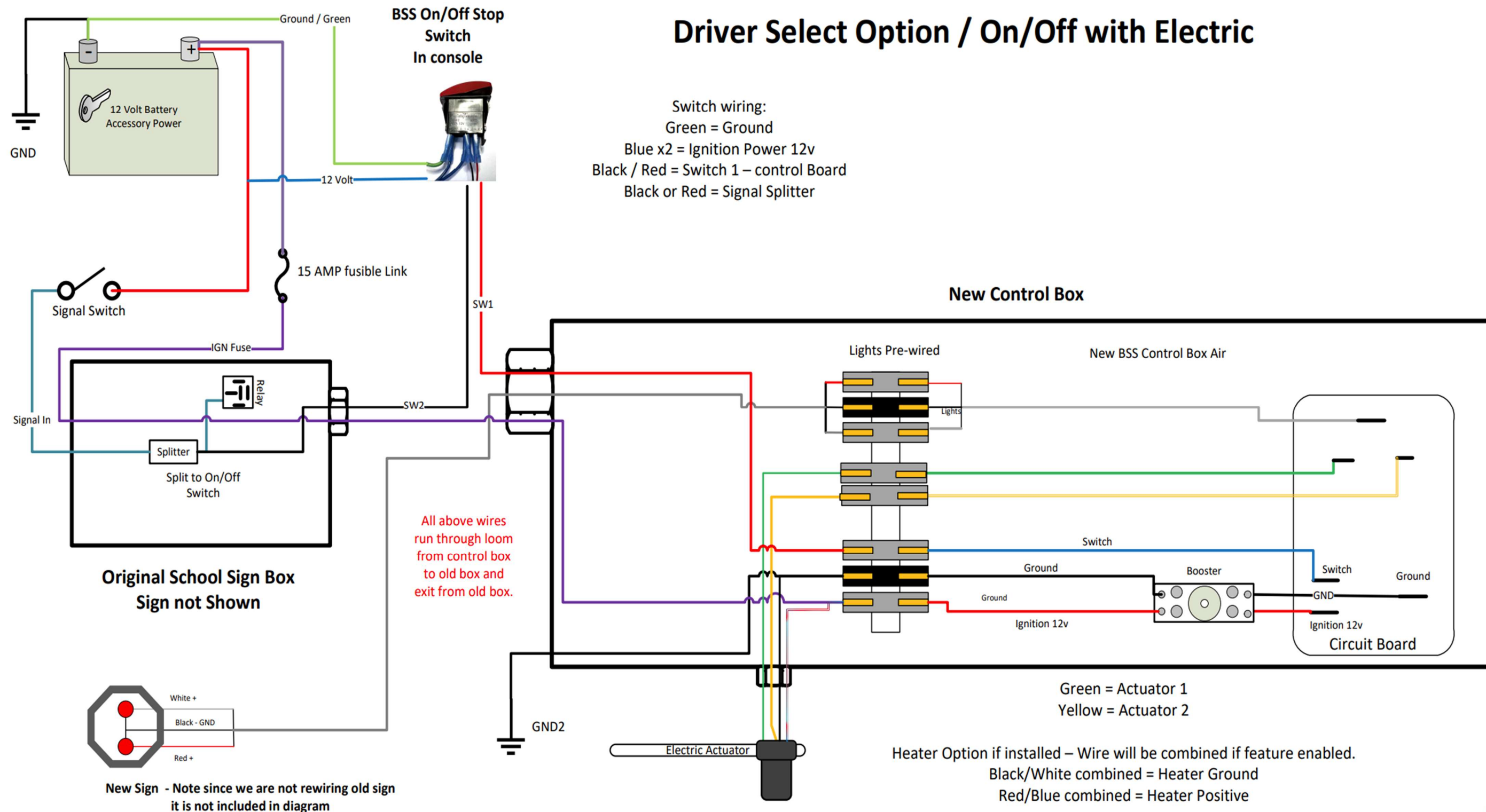




Standard with Electric w/t Heater



Driver Select Option / On/Off with Electric

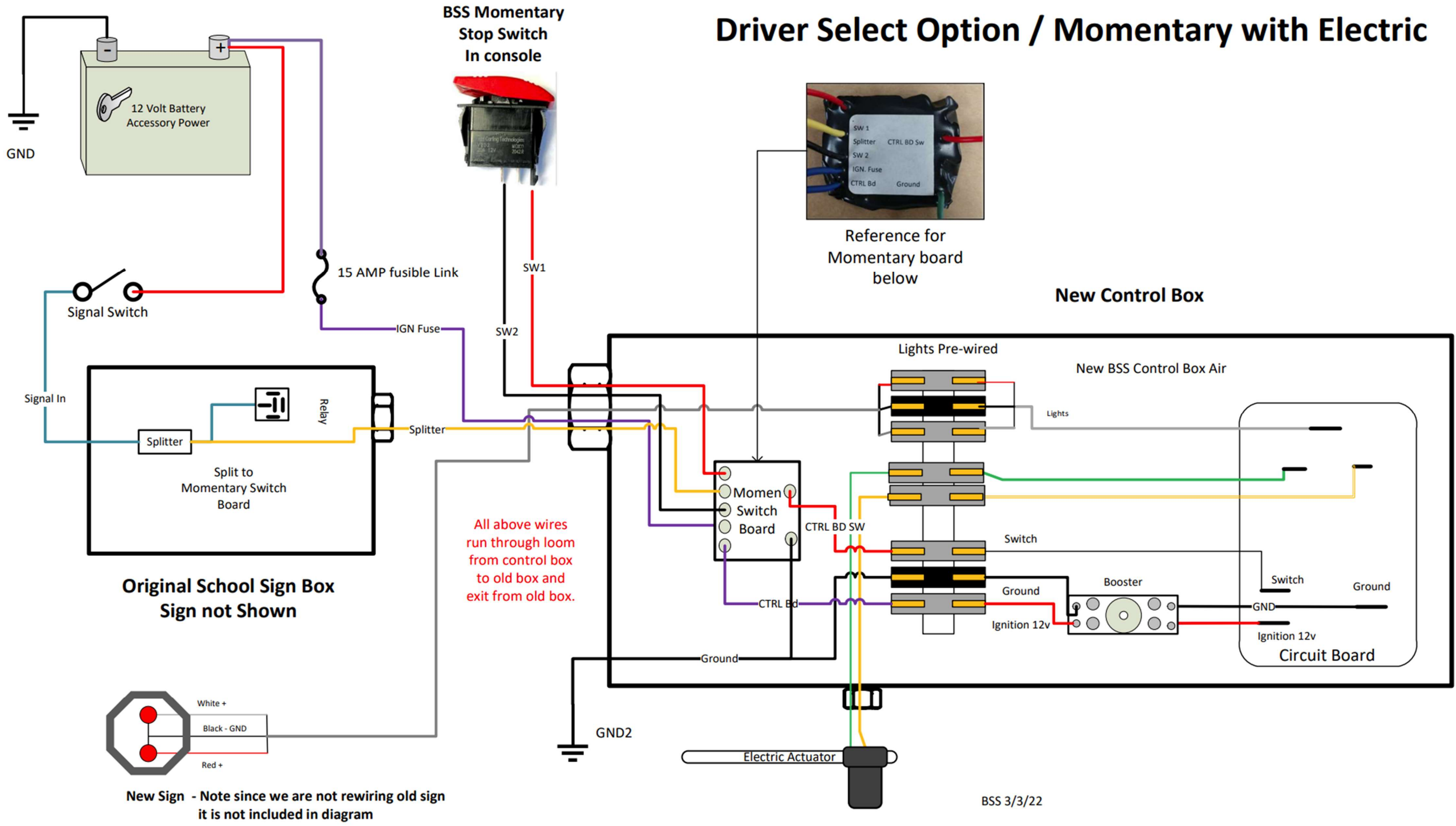


Switch wiring:
 Green = Ground
 Blue x2 = Ignition Power 12v
 Black / Red = Switch 1 – control Board
 Black or Red = Signal Splitter

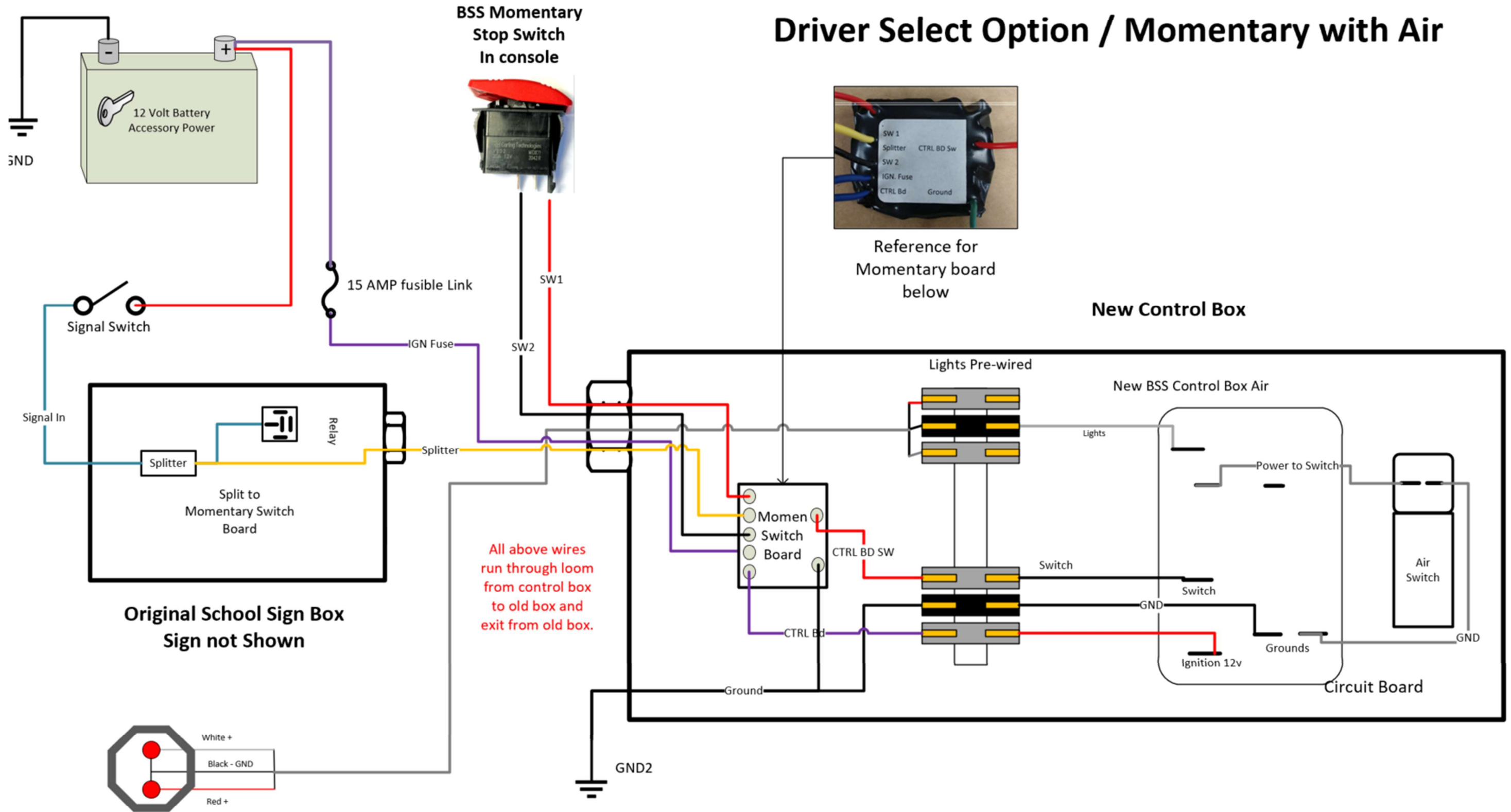
All above wires run through loom from control box to old box and exit from old box.

New Sign - Note since we are not rewiring old sign it is not included in diagram

Driver Select Option / Momentary with Electric



Driver Select Option / Momentary with Air



Original School Sign Box
Sign not Shown

New Sign - Note since we are not rewiring old sign it is not included in diagram

Driver Select Option / On/Off with Air

